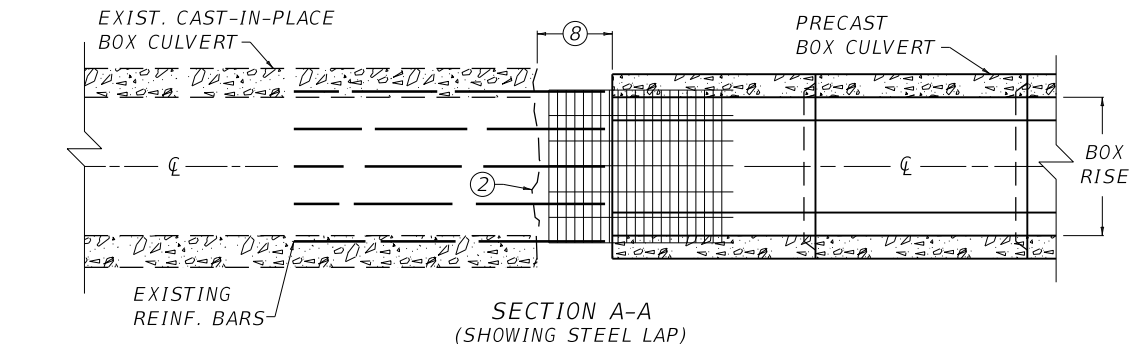
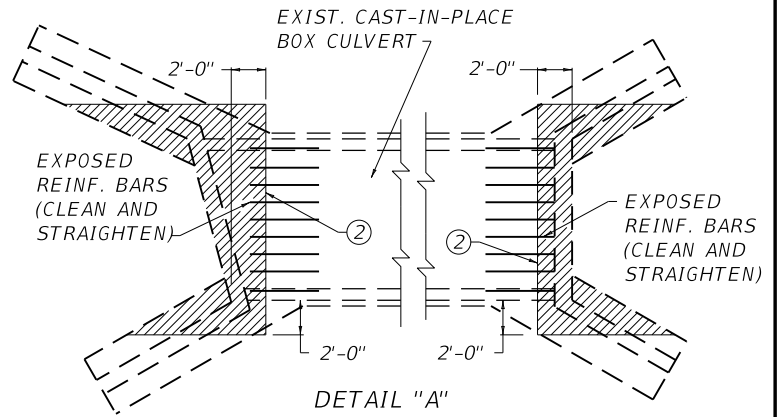


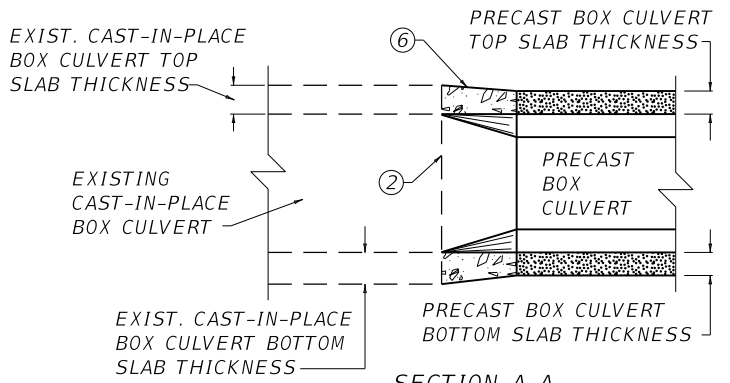
PLAN VIEW



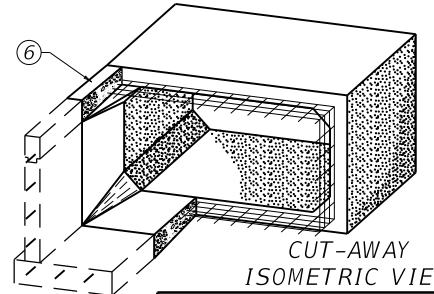
SECTION A-A
(SHOWING STEEL LAP)



DETAIL "A"



SECTION A-A
(SHOWING CAST-IN-PLACE SECTION)



CUT-AWAY
ISOMETRIC VIEW

BID ITEMS AND UNIT TO BID
 PRECAST CONC BOX SECT (SIZE) LF
 CONCRETE-CLASS D CUYD
 REMOVE CONCRETE MASONRY CUYD

~ NOTES ~

1. CONCRETE TO BE REMOVED BEFORE ATTACHING CULVERT EXTENSION.
2. BEFORE REMOVING ANY EXISTING CONCRETE, SAW AROUND THE PERIMETER OF REMOVAL AREA ON THE INTERIOR AND EXTERIOR OF THE CULVERT BARREL A DEPTH OF 1".
3. EXPOSED LONGITUDINAL STEEL IN THE EXISTING CULVERT LAPPED 1'-8" MIN. WITH EXPOSED MESH IN PRE-CAST BOX CULVERT. EXPOSED STEEL SHALL NOT BE KINKED OR BENT BY REMOVAL OPERATIONS. ANY STEEL THAT IS DAMAGED SHALL BE REPAIRED.
4. REINFORCING MESH IN THE PRE-CAST BOX CULVERT SHALL BE EXPOSED ON THE TONGUE END OF THE BOX. CONTRARY TO CURRENT SPECIFICATIONS THE GROOVE END OF THE BOX MAY BE LAID UPSTREAM OR DOWNSTREAM AS NECESSARY TO COMPLETE THE INSTALLATION.
5. EXISTING REMOVED CONCRETE SHALL BE PAID PER CU. YD. "REMOVE CONCRETE MASONRY".
6. CLASS D MODIFIED CONCRETE (MAX. SLUMP OF 3 1/2") IN THE SPLICE SHALL BE PAID PER CU. YD. OF "CONCRETE-CLASS D MOD".
7. EXPOSED LONGITUDINAL STEEL IN EXISTING CULVERT AND EXPOSED MESH IN PRE-CAST BOX CULVERT SHALL BE INCIDENTAL TO THE UNIT PRICE BID FOR "CONCRETE-CLASS D MOD".
8. THE PRE-CAST BOX CULVERT EXTENSION SHALL BE PAID PER LINEAR FOOT OF "PRECAST CONC BOX SECT (SIZE)", WHICH SHALL NOT INCLUDE THE SPLICE.

KENTUCKY DEPARTMENT OF HIGHWAYS		
PRECAST BOX CULVERT EXTENSION		
STANDARD DRAWING NO. RDX-300-04		
SUBMITTED		12-01-15 DATE
APPROVED		12-01-15 DATE
STATE HIGHWAY ENGINEER		